

## easy to order bath seats

**B**ath seats support children during bathing or water play, helping to position the child safely in the bath and minimising risk of injury to carers. Children should be supervised at all times when in the bath, regardless of whether one of these devices is used.

The frames of our bath seats are made from white PVC pressure pipe and fittings. The covers are made from off-white mesh fabric similar to that used on some outdoor furniture. They are attached to the frame using lacing or Velcro.

### Matilda Bath Seat

For supporting children for bathing.

#### Features

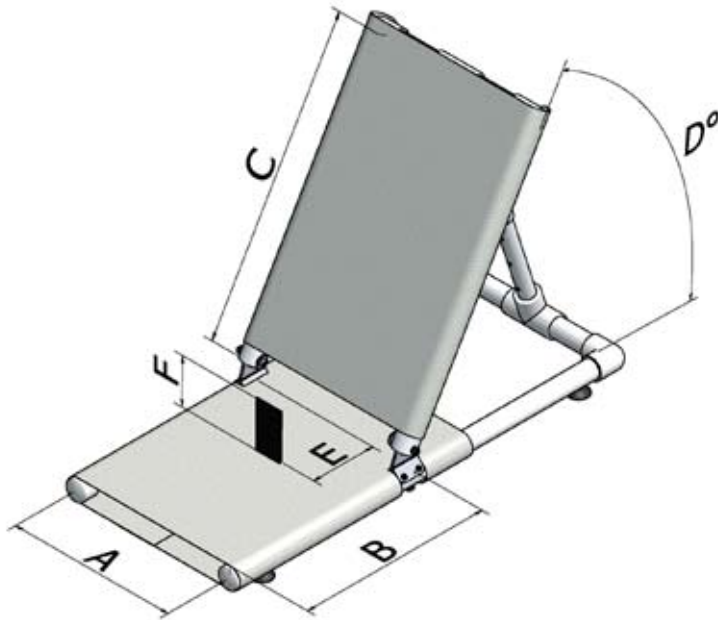
- sits directly on the floor of the bath, reducing the volume of water needed for bathing
- the seat back is hinged, with the angle adjustable between 40° to 60° from the horizontal
- suction cups at each corner of the base minimise movement in the bath
- includes a pelvic belt with crotch strap

#### Options

- a round knee roll can be fitted as an anti-thrust device – this runs the width of the seat and is attached with Velcro straps under the seat
- the pelvic belt can be fitted with a Velcro closure in place of the buckle
- a neoprene sleeve can cover the pelvic belt to reduce skin shear

**AGE GUIDE**  
18 months - 8 years

# easy to order bath seats



## Matilda Bath Seat dimensions (mm)

		Small <input type="checkbox"/>	Large <input type="checkbox"/>	Custom
<b>A</b>	Frame width	310	360	
<b>B</b>	Seat depth	350	450	
<b>C</b>	Back height	550	650	
<b>D</b>	Back recline angle	60°-40°	60°-40°	60°-40°
<b>E</b>	Crotch strap position	CUSTOM ▶		
<b>F</b>	Crotch strap length	CUSTOM ▶		
	Pelvic belt overall length	CUSTOM ▶		

## Matilda Bath Seat options (additional cost)

<input type="checkbox"/>	85mm diameter anti-thrust/knee roll (foam roll with mesh fabric cover and Velcro straps)
<input type="checkbox"/>	Velcro closure on pelvic belt (in place of buckle)
<input type="checkbox"/>	Neoprene sleeve over belt