

# easy to order standing frames

## Lazy Squirrel Standing Frame

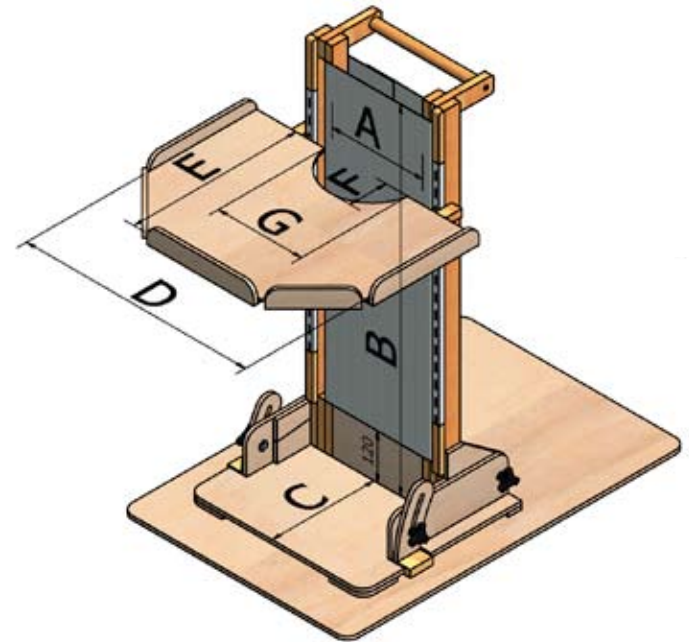
Provides upright to semi-supine standing.

### Features:

- broad base for stability
- the frame can be tilted from vertical through to 30° recline
- the body and head support backing is made of mesh fabric
- the frame has one body support strap and one leg positioning strap (also made of mesh fabric), with a knee separation block integrated with the leg positioning strap
- the body and leg straps are adjustable for height and wrap-length using Velcro fastening at the back of the frame
- the height-adjustable lipped tray fits to the outer frame for simple attachment and removal
- the tray and upright section of the standing frame are removable from the base for easy transport and storage

### Options

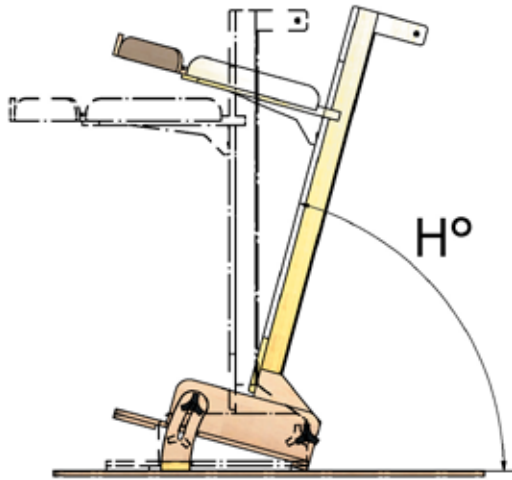
- footcups can be attached to the baseplate
- additional body support can be provided
- braked furniture castors can be added to the base



### AGE GUIDE

12 months - 4 years

# easy to order standing frames



## Lazy Squirrel Standing Frame dimensions (mm)

		Typical <input type="checkbox"/>	Custom
<b>A</b>	Effective support width	240	
<b>B</b>	Effective support height	900	
<b>C</b>	Footplate depth	270	
<b>D</b>	Tray width	600	
<b>E</b>	Tray depth	500	
<b>F</b>	Cutout width	280	
<b>G</b>	Cutout depth (no greater than $F \div 2$ )	130	
<b>H</b>	Frame tilt relative to base	upright - 60°	upright - 60°
	Heelplate height	120	120

## Lazy Squirrel Standing Frame options (additional cost)

<input type="checkbox"/>	Footcups	Shoe width		Shoe length	
		Separation between inner footcup edges			
<input type="checkbox"/>	Additional body support strap		Width		
<input type="checkbox"/>	Braked swivel furniture castors on base				